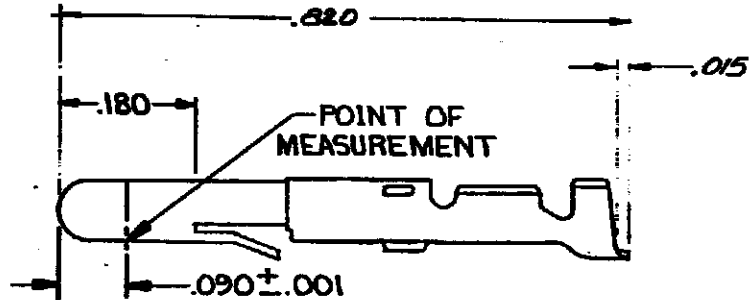


PART NO. 61174



1. FOR ADDITIONAL INFORMATION SEE DWG. 350079.
 2. THIS TERMINAL TO BE SUPPLIED IN INDIVIDUAL FORM, NOT AS CONTINUOUS STRIP.
- Ⓜ .000030 GOLD INSIDE WIRE BARREL + ON TIP OF PIN; REMAINDER OF CONTACT IS NICKEL PLATED.

PART NO.	WIRE SIZE	INSULATION RANGE	MATERIAL & FINISH
61174-1	#30-#22	.040-.075 or (2) .040 MAX	.012 BRASS TIN
61174-5	#30-#22	.040-.075 or (2) .040 MAX	.012 BRASS GOLD Ⓜ

DIMENSIONS IN INCHES. DO NOT SCALE PRINT.

© 1967 BY AMP INCORPORATED. ALL RIGHTS RESERVED. AMP PRODUCTS COVERED BY PATENTS AND/OR PATENTS PENDING.					CUSTOMER COPY REFERENCE ONLY	
MATERIAL AND FINISH SEE TABLE					AMP INCORPORATED HARRISBURG, PENNSA	
WIRE — RANGE — INSULATION SEE TABLE SEE TABLE					TYPE ——— X ———	
TOLERANCE EXCEPT AS NOTED ± 0.15 ± 1" 0' 4X1					CLASS ——— X ———	
LTR REVISION RECORD DR J.R. KUNKLE DE CHK [Signature] APP [Signature]			DR CHK DATE		LOC CP A NO 61174 REV H	
NAME LOOSE PIECE MATE-N-LOK PIN					NO 61174	